

A

B

C

D

A

B

C

D

1

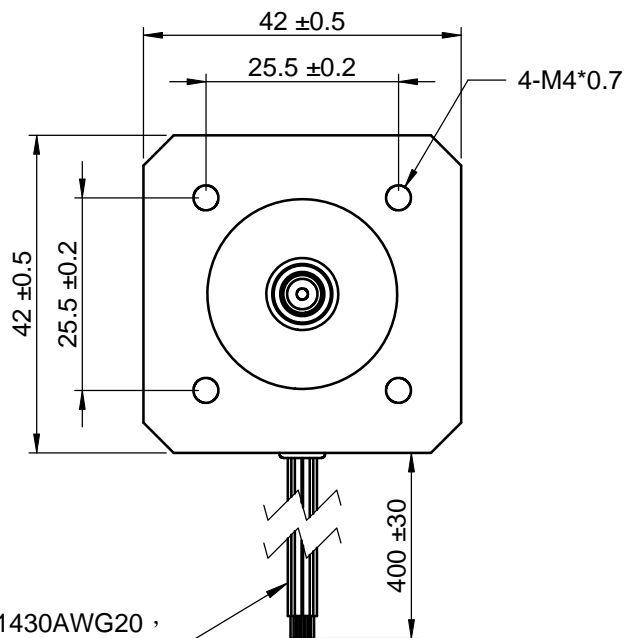
2

3

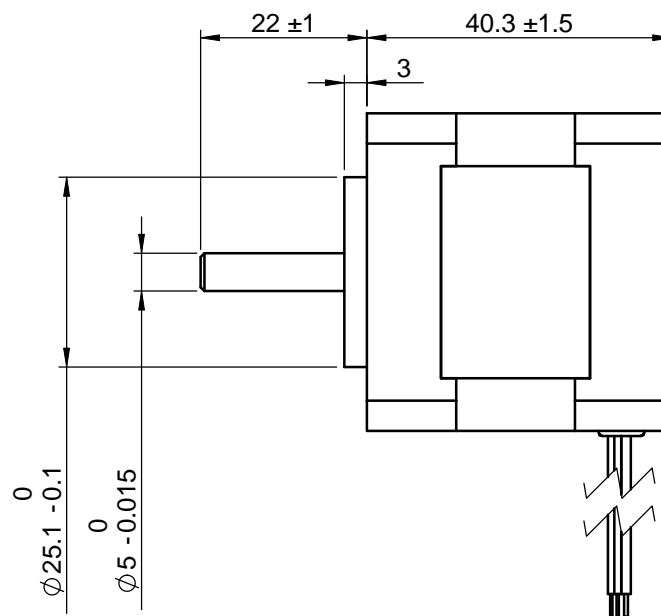
4

5

6





(繞線組線徑為 UL1430AWG20，
感應器線徑為 UL1430 AWG26)



Hall 接線表		
Pin	Color	功能(說明)
1	Blue	Hall U
2	Black	GND
3	Green	Hall V
4	Red	+5V
5	White	Hall W

Motor 接線表		
Pin	Color	功能(說明)
1	Red	Motor U
2	Black	Motor V
3	Yellow	Motor W

CCW 
繞組接線圖

U Red
Black v  w Yellow

MODEL		NO LOAD		AT MAXIMUM EFFICIENCY					THIRD ANGLE PROJECTION ALL DIMENSION ARE IN MM (UNLESS OTHERWISE SPECIFIED)	製圖 設計 審核 材料 完成時間	JOANNE	Cheshire Electric Company, LLC		
NOMINAL	24V DC	SPEED RPM	CURRENT A	SPEED RPM	CURRENT A	TORQUE g-cm	OUTPUT W	EFF %				Part No JB42-D0G1A708	Name DC Brushless motor	REV. NO.
		6550	0.19	5564	1.05	393.70	23.00	90.74	繪製比例: 1:1	2011/9/30				